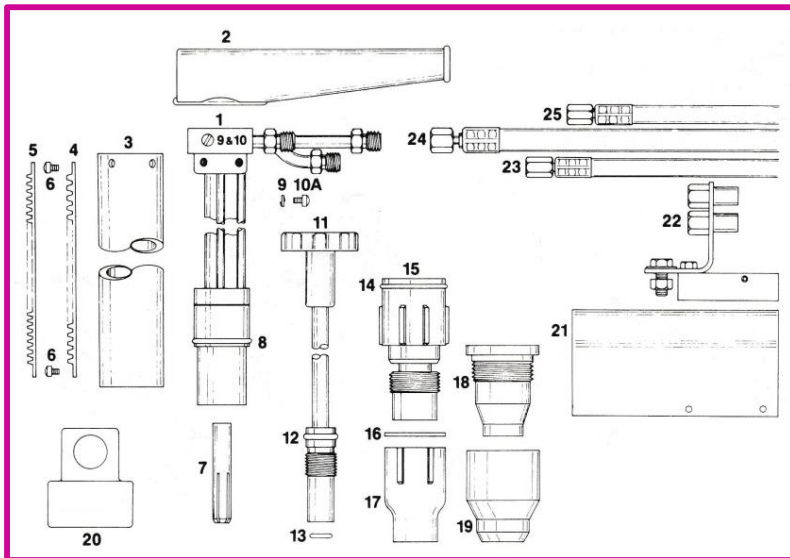


TIG TORCHES

WP-27 500 AMPS . WATER COOLED



TORCH PACKAGE

WP-27A-12/25-3 Torch of Length 12 Feet / 25 Feet
 WP-27B-12/25-3 Torch of Length 12 Feet / 25 Feet

Size	6	8	10	12	Short
Alumina	57N75	57N74	53N88	53N87	53N89
Metal**	-	-	57N78	57N77	-

ITEM NO.	PART REF NO.	DESCRIPTION	ITEM NO.	PART REF NO.	DESCRIPTION
1	WP-27A	Torch body, (9" long) includes shaft assy, barrel & boot	15	—	Gas lens (See chart), includes 1 ea 181W89 O -ring, 1 ea. 57N56 gasket
	WP-27B	Torch body, (20" long) includes shaft assy, Barrel & boot	16	57N56	Gasket
			17	—	Alumina nozzle (See chart)
2	27-12	Insulating boot	18	57N76	Metal nozzle adapter
3	27-10A	Barrel assy. "A" model, includes 3 ea. 27-10 screw, 3 ea. 27-11 washer	19	—	Metal nozzle (See chart)
	27-10B	Barrel assy. "B" model, includes 3 ea 27-10 screw, 3 ea. 27-11 washer	20	45V11	Power Cable
	27-9B	Barrel assy. w/rack hole	21	27 -18-3	Bracket insulating cover
4	27R24	Barrel rack "B" model only, 24 pitch (1/4" x 1/4" x 11")	22	27-18	Bracket assy.*includes bracket, insulator block, insulator cover, mounting hardware:
5	27R32	Barrel rack "B" model only, 32 pitch (1/4" x 1/4" x 11")			2 ea.1/4"-20 x 3/4" hex hd. brass cap screw 1 ea.1/2"-13 x 1" hex hd. brass cap screw
6	18R-1	6-32 x 3/16" fillister head screw			1 ea.1/2"-13 hex brass nut 1 ea.1/2" med. steel lock washer
7	—	Collet (See chart)	23	—	1 ea.1/2" plain brass washer Gas Hose
8	27-2-4	O-ring			40V82R -3 3 ft. (0.9m)
9	27-11	#6 bronze lock washer			40V82 R 12 1/2 ft. (3.8m)
10	27-10	6-32 x 5/16 binding head screw			40V82RL 25 ft. (7.6m)
10A	27-19	6-32 x 5/16 binding head nylon screw	24	—	Power Cable
11	27-13A	Shaft assy."A" model includes shaft, knob,, 1 ea. 27-13-2 & 27-13-3 O-ring			40V84R -3 3 ft. (0.9m)
	27-13B	Shaft assy. "B" model includes shaft, knob, 1 ea. 27-13-2 & 27-13-3 O-ring			40V84R 12 1/2 ft. (3.8m)
			25	—	40V84RL 25 ft. (7.6m) Water - in hose
12	27-13-2	O-ring			40V83 R -3 3 ft. (0.9m)
13	27-13-3	O-ring			40V83 R 12 1/2 ft. (3.8m)
14	181W89	O-ring			40V83 R L 25 ft. (7.6m)
	57WCNA	Water cooled nozzle (not shown)			

Electrode Diameter	.040 (1.0mm)	1/16 (1.6mm)	3/32 (2.4mm)	1/8 (3.2mm)	5/32 (4.0 mm)	3/16 (4.8 mm)	1/4 (6.4 mm)
Collet	57N45	57N46	57N47	57N48	57N49	57N50	57N51
Gas Lens	49V22	49V23	49V24	49V25	49V26	49V27	49V28

Parts & Torches offered by Truweld Welding Industries are not genuine parts & are only compatible parts. Reference to Brand, Torch & Part No is only for convenience

AUTHORISED DISTRIBUTOR

Rev: 18 February 2021