

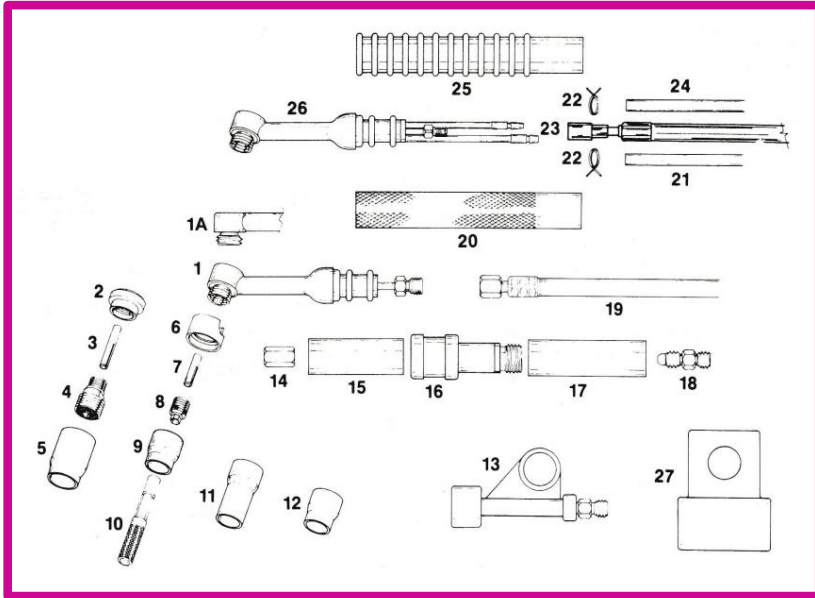
TIG TORCHES

WP-24

80AMPS. AIRCOOLED

WP-24W

180AMPS. WATERCOOLED



TORCH PACKAGE*

WP-24-12/25-1 Torch of Length 12 Feet /25 Feet

WP-24W-12/25-3 Torch of Length 12 Feet/25 Feet

* Also available with Flexible Torch Head

Electrode Diameter	.020 (.5mm)	.040 (1mm)	1/16 (1.6mm)	3/32 (2.4 mm)
Collet	53N15	53N16	53N14	24C332
Collet Body	53N17	53N18	53N19	24CB332
Gas Lens Collet	53N62	53N63	53N64	24GLC332
Gas Lens	45V41	45V42	45V43	45V44

ITEM NO.	PART REF NO.	DESCRIPTION	ITEM NO.	PART REF NO.	DESCRIPTION
1	WP-24	Torch body includes cup gasket (60°)	18	24-5	Adapter
1A	WP-24N	Torch body same as WP-24, with 90° head	19	—	Power cable (WP -24)
2	53N66	Gas Lens Insulator			56Y38 12 1/2 ft. (3.8 m) vinyl
3	—	Gas lens collet (See chart)			56Y97 25 ft. (7.6m) vinyl
4	—	Gas lens (See chart)			56Y38R 12 1/2 ft. (3.8m) rubber
5	—	Alumina gas lens nozzle (See chart)			56Y97 R 25 ft. (7.6m) rubber
6	53N22	Cup gasket	20	H-100	Handle (smooth, standard)
7	—	Collet (See chart)	21		Water hose (WP-24W)
8	—	Collet body (See chart)			45V07 12 1/2 ft. (3.8m)
9	—	Lava nozzle (See chart)			45V08 25 ft. (7.6m)
10	53N20	Collet body wrench	22	53N04	Hose Clamp
11	—	Long lava nozzle (See chart)	23		Power cable (WP-24W)
12	—	Alumina nozzle (See chart)			45V03 12 ½ ft. (3.8m)
13	53N43	Power cable adapter (WP-24)			45V04 25 ft. (7.6m)
14	24-4	Coupler	24	—	Gas hose (WP -24W)
15	V-92-1	Front Handle			45V09 12 1/2 ft. (3.8m)
16	V-92-2	Valve body (Not Sold Separately)			45V10 25 ft. (7.6m)
17	V-92 -3	Rear Handle	25	H-100R	Handle (ribbed, optional)
	V-92	Valve assy. includes items 15, 16, 17	26	WP-24W	Torch body, includes cup gasket (70°)
			27	45V11	Power cable adapter (WP-24W)

Size	0.165	4	5	6	7	8
Alumina	-	A53N24	A53N25	A53N27	-	-
Lava	53N23	53N24	53N25	53N27	-	-
Long Lava	-	53N28	-	53N26	-	-
Alumina Gas Lens	-	53N58	53N59	53N60	53N61	53N61S

Parts & Torches offered by Truweld Welding Industries are not genuine parts & are only compatible parts. Reference to Brand, Torch & Part No only for convenience.

AUTHORISED DISTRIBUTOR

Rev: 07 January 2023