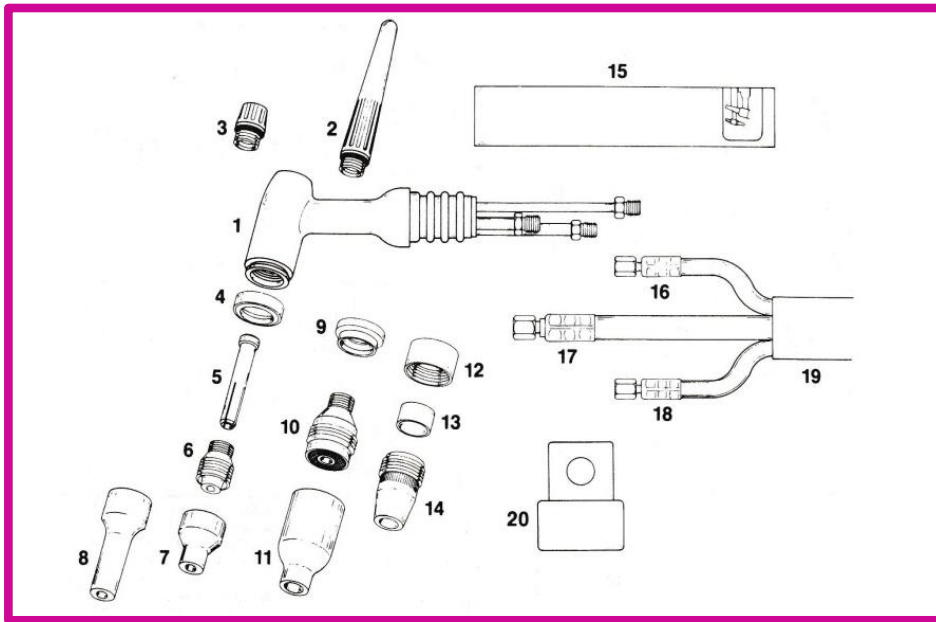


# TIG TORCHES WP-12 500 AMPS . WATER COOLED



## TORCH PACKAGE

WP-12-12-3 Torch of Length 12 Feet  
 WP-12-25-3 Torch of Length 25 Feet

ITEM NO.	PART REF NO.	DESCRIPTION	ITEM NO.	PART REF NO.	DESCRIPTION
1	WP-12	Torch body, includes nozzle gasket (70°)	15	85WP13	Handle
2	56Y44	Long back cap, includes 85W50 O- ring	16	—	Gas Hose
3	56Y45	Short back cap, includes 85W50 O- ring			40V82R 12 1/2 ft. (3.8m)
4	12NG	Nozzle gasket			40V82RL 25 ft. (7.6 m)
5	—	Collet (See chart)	17		Power cable
6	11WP65	Collet body (all sizes)			40V84R 12 1/2 ft. (3.8m)
7	—	Alumina nozzle (See chart)			40V84RL 25 ft. (7.6 m)
8		Long alumina nozzle (See chart)	18	—	Water hose
9	12GLG	Gas lens gasket			40V83R 12 1/2 ft. (3.8m)
10	—	Gas lens (See chart)			40V83RL 25 ft. (7.6m)
11		Gas lens alumina nozzle (See chart)	19	—	Hose and cable assy. in rubber sheath
12	12MNG	Metal nozzle gasket			40WP84 12 1/2 ft. (3.8m)
13	85Z99	Insulator sleeve			40WP84L 25 ft. (7.6m)
14	—	Metal nozzle (See chart)	20	45V11	Power cable adapter

Size	4	5	6	7	8	10	12	Short
Alumina	14N57	14N58	14N59	14N60	14N61	14N61-10	14N61-12	-
Long Alumina	14N68	14N69	14N70	14N71	14N72	-	-	-
Gas Lens	-	-	57N75	-	57N74	53N88	53N87	53N89
Metal	-	-	86Z01	-	86Z02	86Z03	86Z06	-

Electrode Diameter	1/16 (1.6mm)	3/32 (2.4mm)	1/8 (3.2mm)	5/32 (4.0 mm)	3/16 (4.8 mm)	1/4 (6.4 mm)
Collet	85Z14	85Z15	85Z16	85Z17	85Z18	85Z19
Collet Body	11WP65					
Gas Lens	11GL16	11GL32	11GL18	11GL53	11GL36	-

Parts & Torches offered by Truweld Welding Industries are not genuine parts & are only compatible parts. Reference to Brand, Torch & Part No only for convenience.

## AUTHORISED DISTRIBUTOR